

# SwivelBeam Clamp

With Rotating Suspension Arm



*Swivel beam with U-Bracket option.*



*Vertical orientation utilizing single Tilt Cable Kit.*



*Horizontal orientation utilizing dual Tilt Cable Kit.*



*Vertical Orientation using Wooden Beam attachment option.*



SwivelBeam Clamps are time-saving rigging solutions that provide a safe and load-rated way to secure loads from overhead structures. They also provide a simple and reliable method for aiming loudspeakers and other objects.

SwivelBeam Clamps secure to a building's overhead structural beams, steel or wood, for widths ranging from 3.0" to 12.0" (76 to 305 mm) inches in width.

SwivelBeam Clamp's lower suspension arm rotates 360 degrees for precise aiming. The suspension arms come in a variety of lengths to suit the needs of the installation.

SwivelBeam Clamps accommodate a variety of rigging and mounting options including the AJ Series adjustable U-Brackets, fixed length wire rope suspensions and the adjustable Steerables Tilt Cable Kits. These options allow the accurate placement, positioning and aiming requirements of any object from an overhead beam.

*A division of:*  
**ADAPTIVE TECHNOLOGIES GROUP**

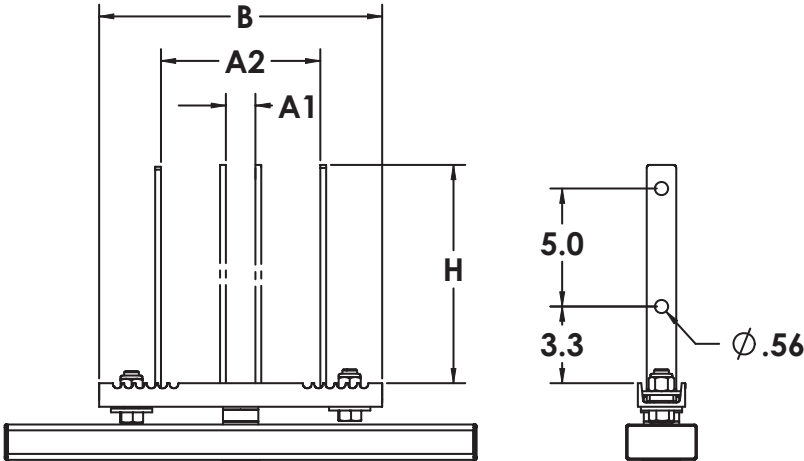
1635 E. Burnett Street  
Signal Hill, CA 90755 USA

PH: 562.424.1100 FX: 562.424.3520

**ATM**  
**FLY-WARE®**

[www.atmflyware.com](http://www.atmflyware.com)

## WOOD BEAM SUSPENSION OPTION



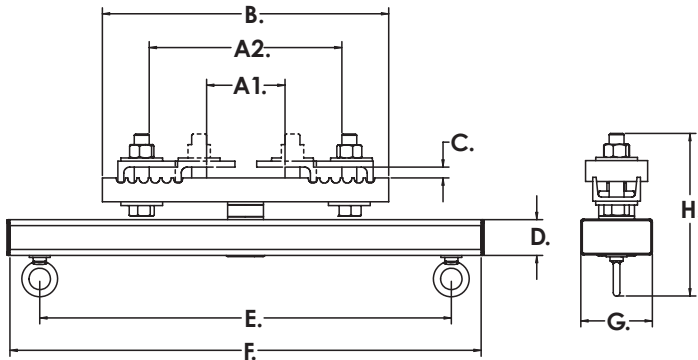
### OPTIONAL ACCESSORIES:

- **AJ-1524** - Adjustable U-Bracket
- **AJ-2336** - Adjustable U-Bracket
- **TCK Series** - Adjustable Tilt Cable Kit (TCK-010, TCK-014, TCK-018, TCK-022)
- **TCK2 Series** - Adjustable Tilt Cable Kit (TCK2-018, TCK2-022, TCK2-030, TCK2-036, TCK2-040)
- **FC Series** - Fixed Length Wire Rope Assemblies (FC-010, FC-014, FC-018, FC-022, FC-030)

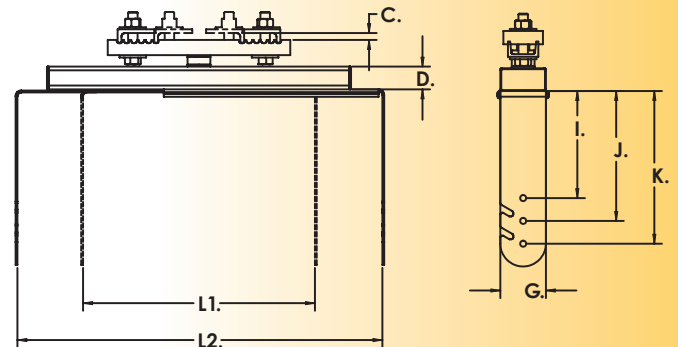
### SPECIFICATIONS:

- Material:** Structural steel alloy
- Finish:** Powder coat
- Colors:** Black / White
- Pan rotation:** 360° horizontal
- Working load:** 300 lb./136.4 Kg
- Design factor:** 5:1 ratio
- Pack count:** 1/carton

## EYEBOLT SUSPENSION OPTION



## U-BRACKET SUSPENSION OPTION



## SWIVELBEAM ARRAY DIMENSIONS

	A1	A2	B	C	D	E	F	G	H (REF)	I	J	K	L1	L2
SBC3-8-CA-20	3	8	12	.50 MAX	1.5	17.25	19.75	3	6.8	7	8.5	10	15	24
SBC3-8-CA-30	3	8	12	.50 MAX	1.5	27.5	30	3	6.8	7.9	9.4	10.9	23	36
SBC8-12-CA-20	8	12	16	.50 MAX	1.5	17.25	19.25	3	6.8	7	8.5	10	15	24
SBC8-12-CA-30	8	12	16	.50 MAX	1.5	27.5	30	3	6.8	7.9	9.4	10.9	23	36